





# Rent Quotation

Ship to:

Bill to:

Vendor: Genizer LLC  
 18 Technology Dr., Suite 159  
 Irvine, California 92618 USA  
 Phone: + 1(949) 932-0294  
 Fax: +1(323) 978-4693  
 Email: nano@genizer.com  
 Web: www.Genizer.com

PIC	Item #	Description	QTY	Unit Price	Line Total
	GJE-100mL	<b>Jacketed Liposome Extruder - Capacity: 100 mL</b>  <b>Including:</b> <ul style="list-style-type: none"> <li>▶ High-pressure nitrogen tubing G5/8</li> <li>▶ Adaptor with 3/8 inch male NPT and 1/4 inch female flare outlet.</li> <li>▶ Laser disc</li> <li>▶ Extra seal pack</li> <li>▶ Extra outlet plastic tube, luer ends</li> </ul>	1 SET	US\$4,500.00	US\$0.00  <b>For the 2 weeks after delivery</b>
	<b>FLT Membrane</b> <i>(Optional)</i>	<b>Track-Etched Filter Membranes</b> <ul style="list-style-type: none"> <li>▶ 100/PK 100nm Membranes (Dia. 47mm)</li> <li>▶ 100/PK 200nm Membranes (Dia. 47mm)</li> <li>▶ 100/PK 400nm Membranes (Dia. 47mm)</li> </ul>	1 PK 1 PK 1 PK	US\$300.00 US\$300.00 US\$300.00	US\$300.00 US\$300.00 US\$300.00  <b>NOT FOR FREE</b>
	<b>Drain Disc</b> <i>(Optional)</i>	<b>Drain Disc, Diam. 47mm, 100/PK</b>	1 PC	US\$80.00	US\$80.00  <b>NOT FOR FREE</b>
Shipping Fee					<b>By Customer</b>
Sales Tax					N/A
Total					TBD

*Quoted prices are in US Dollars (US\$)*

*International quotes are priced exclusive of VAT, DUTY, import taxes and other import charges.*

**Note:** The following items are required for proper operations of the Genizer Liposome Extruders (GJE series). These items are NOT supplied with GJE series.

- Nitrogen Regulator
- Nitrogen Gas Cylinder
- Cooler Machine and cooling tubes if the sample is temperature sensitive

(a) Term: Free rent for two weeks after delivery.



(b) Agree with the Intellectual Property Agreement.

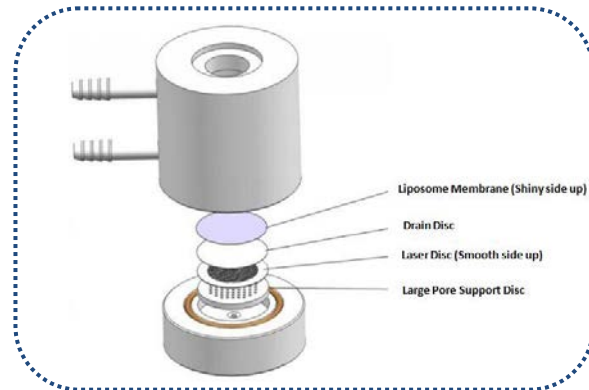
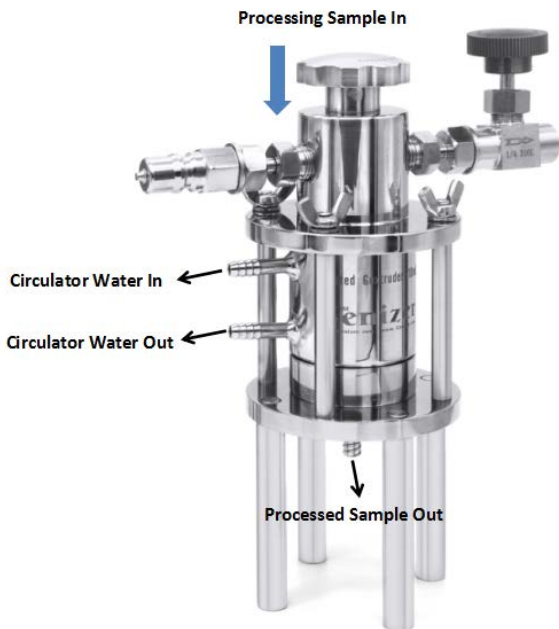
(c) ①The buyer shall incur a \$100/day charge for overdue use and cover return shipping costs; ②The buyer is accountable for all safety issue and equipment defects; ③Hazardous material processing is prohibited and equipment must be thoroughly cleaned post-use; ④Surface damage, dirtiness, and malfunctions should be reported by the buyer within 3 days of delivery to avoid separate invoicing; ⑤The buyer must review all manuals and terms before operation and will be liable for any damages or losses during the demo unit's operation.

For Wire Transfers: To receive credit, Invoice No. and customer name must appear in reference information:  
Bank: Bank of America  
Bank address: 930 Westwood Blvd, Los Angeles, CA 90024  
Swift Code: BOFAUS3N  
Routing/ABA #: 026009593  
Account #: 3250-2940-3428  
Acct Name: Genizer LLC

Buyer signature

Date

Authorized by  
Genizer LLC.      Date  
08-29-2023





**Intellectual Property Agreement:** Buyer (distributor and end-customer), by purchasing the Equipment, acknowledges and agrees that the Equipment embodies and/or utilizes Seller's (Genizer LLC) valuable intellectual property, know-how, and trade secrets, including, without limitation, confidential proprietary information associated with the design, operation, and use of the interaction chamber and all other components associated with such Equipment. Buyer hereby agrees, represents, and warrants that it will not (nor will it aid, assist, or permit any other person or entity to): (i) tamper with the Equipment, including specifically the interaction chamber thereof, (ii) utilize any imaging equipment or other modality to reveal the inner structures and/or designs of the Equipment, including specifically the interaction chamber, high pressure homogenizer and liposome extruder thereof, (iii) attempt to disassemble or reverse engineer the Equipment, including specifically the interaction chamber and homogenizer thereof, or any interaction chambers and homogenizers purchased, rented or used by it, or (iv) otherwise discover and/or utilize any of the aforementioned intellectual property, know-how, and trade secrets of any aspect of the Equipment. Buyer further agrees, represents and warrants that it will not disclose (nor will it aid, assist or permit any other person to disclose) any information which it may, incidentally or otherwise, learn or discover about the materials and methods of construction, design, assembly, functioning, geometries, measurements and tolerances of the internal components of the Equipment, including specifically the interaction chamber and homogenizer. Buyer furthermore agrees that Buyer shall be liable to Seller for any and all actual and potential, direct and indirect, incidental and consequential damages, including, without limitation, lost profits arising from or related to any violation of these provisions, as well as any and all equitable relief as a court may impose, to remedy any such violation. Buyer shall not post negative information of Seller, online or in other venues or formats. The minimum penalty for violation of this Intellectual Property Agreement is 200% of the unit price. The minimum penalty for violation of this clause is 200% of unit price.

**Disclaimer.** Buyer agree NOT to direct the inlet or outlet of high pressure devices and equipment supplied by Seller (including high-pressure homogenizer, extruder, interaction chamber and valve) toward any person or object, lest they cause a safety issue and/or property loss. Buyer acknowledge that the personal shield is recommended in the operation of the high-pressure homogenizer and extruder, and that the high-pressure homogenizer and extruder are recommended to be operated in the shielded hood or space. Buyer should NOT directly touch the conductive material or any part of the high-pressure homogenizer when the electricity is on. Buyer shall be held completely responsible for any and all results of any violations on their part of the instructions and recommendations listed in this clause, as well as any other unsafe practices or actions they might take.